

The DB2 for z/OS Catalog Gets a Makeover

Willie Favero

IBM Data Warehouse on System z Swat Team (DB2 SME)

Monday, March 8, 2011: 3:00 PM-4:00 PM
Session 9539

Notices



This information was developed for products and services offered in the U.S.A.

Note to U.S. Government Users Restricted Rights — Use, duplication or disclosure restricted by GSA ADP Schedule Contract with IBM Corp.

IBM may not offer the products, services, or features discussed in this document in other countries. Consult your local IBM representative for information on the products and services currently available in your area. Any reference to an IBM product, program, or service is not intended to state or imply that only that IBM product, program, or service may be used. Any functionally equivalent product, program, or service that does not infringe any IBM intellectual property right may be used instead. However, it is the user's responsibility to evaluate and verify the operation of any non-IBM product, program, or service.

IBM may have patents or pending patent applications covering subject matter described in this document. The furnishing of this document does not give you any license to these patents. You can send license inquiries, in writing, to: IBM Director of Licensing, IBM Corporation, North Castle Drive Armonk, NY 10504-1785 U.S.A.

The following paragraph does not apply to the United Kingdom or any other country where such provisions are inconsistent with local law: INTERNATIONAL BUSINESS MACHINES CORPORATION PROVIDES THIS PUBLICATION "AS IS" WITHOUT WARRANTY OF ANY KIND, EITHER EXPRESS OR IMPLIED, INCLUDING, BUT NOT LIMITED TO, THE IMPLIED WARRANTIES OF NON-INFRINGEMENT, MERCHANTABILITY OR FITNESS FOR A PARTICULAR PURPOSE. Some states do not allow disclaimer of express or implied warranties in certain transactions, therefore, this statement may not apply to you.

This information could include technical inaccuracies or typographical errors. Changes are periodically made to the information herein; these changes will be incorporated in new editions of the publication. IBM may make improvements and/or changes in the product(s) and/or the program(s) described in this publication at any time without notice.

Any references in this information to non-IBM Web sites are provided for convenience only and do not in any manner serve as an endorsement of those Web sites. The materials at those Web sites are not part of the materials for this IBM product and use of those Web sites is at your own risk.

IBM may use or distribute any of the information you supply in any way it believes appropriate without incurring any obligation to you.

Information concerning non-IBM products was obtained from the suppliers of those products, their published announcements or other publicly available sources. IBM has not tested those products and cannot confirm the accuracy of performance, compatibility or any other claims related to non-IBM products. Questions on the capabilities of non-IBM products should be addressed to the suppliers of those products.

This information contains examples of data and reports used in daily business operations. To illustrate them as completely as possible, the examples include the names of individuals, companies, brands, and products. All of these names are fictitious and any similarity to the names and addresses used by an actual business enterprise is entirely coincidental.

COPYRIGHT LICENSE:

This information contains sample application programs in source language, which illustrates programming techniques on various operating platforms. You may copy, modify, and distribute these sample programs in any form without payment to IBM, for the purposes of developing, using, marketing or distributing application programs conforming to the application programming interface for the operating platform for which the sample programs are written. These examples have not been thoroughly tested under all conditions. IBM, therefore, cannot guarantee or imply reliability, serviceability, or function of these programs. You may copy, modify, and distribute these sample programs in any form without payment to IBM for the purposes of developing, using, marketing, or distributing application programs conforming to IBM's application programming interfaces.

Trademarks



- This presentation contains trade-marked IBM products and technologies. Refer to the following Web site:

<http://www.ibm.com/legal/copytrade.shtml>

Why?

Most Significant Catalog Changes in 27 Years

- **Database 2 (DB2 Version 1) to DB2 10 for z/OS**
 - Increased the number of table spaces
 - 11 table spaces to 90
 - Increased the number of tables
 - 25 tables to 137
 - Links to no links
 - Now uses a new table space structure (UTS in DB2 9)
 - LOBs (DB2 V6)
 - Reordered Row Format
 - Row level locking
 - Unicode
 - All DB2 10 Catalog/Directory objects are DB2 managed

To Appreciate Today's Changes....

- DB2 10 for z/OS
- Available since October, 2010
 - Upgrade paths available from
 - DB2 Version 8 New Function Mode (NFM)
 - *DB2 V8 End of Service (EoS) is April 2012*
 - DB2 9 NFM

We Have to Start Here....

- Database 2 – DB2 Version 1

How the DB2 Catalog has Changed

DB2 Version	Table Spaces	Tables	Added
V1	11	25	
V3	11	43	5
V4	11	46	3
V5	12	54	8
V6	15	65	9
V7	20	84	19
V8	21	87	2
V9	32	108	19
V10	90	137	29

All of Those Fun Pointers

Prior to DB2 10

- Which table spaces used links
 - SYSDBASE, SYSPLAN, SYSDBAUT, SYSVIEW, SYSGROUP and DBD01
 - These table spaces used page level locking because of the links
 - Using SYSDBASE as an example:
 - SYSCOLAUTH, SYSCOLUMNS, SYSFIELDS
 - SYSFORIGNKEYS, SYSINDEXES, SYSINDEXPART
 - SYSKEYS, SYSRELS, SYSSYNONYMS,
 - SYSTABAUTH, SYSTABLEPART, SYSTABLES,
 - SYSTABLESPACE
 - A change to any of the above tables could lock all of the tables

*What do we mean by links or pointers?
Next slide...*

All of Those Pointers... Shades of IMS

- Using SYSTABLES as an example
 - SELECT * against SYSTABLES returns NAME for first column the first
- DSN1PRNT shows something a little different
 - Output of data page in a SYSDBASE containing a SYSTABLES row *
 - 4-byte forward ring pointer to next SYSTABLES record or SYSTABLESPACE record
 - 4- byte backward ring pointer to the previous SYSTABLES record or SYSTABLESPACE record
 - 4-byte child pointer pointing to a SYSCOLUMNS record
 - 4-byte child pointer pointing to a SYSRELS record
 - 4-byte child pointer pointing to a SYSINDEXES record
 - 4-byte child pointer pointing to a SYSTABAUTH record
 - 4-byte child pointer pointing to a SYSSYNONYMS record.

* Examined using DSN1PRNT and the Diagnosis Guide and Reference (licensed materials)

Have Links, Need Check

- DB2 Version 2 enhancement for catalog
 - DB2 link checker added
 - Stand-alone utility DSN1CHKR
 - The integrity of the DB2 directory and catalog table spaces can now be verified
- You'll still need to check links one more time
 - As part of the migration
 - Run DSN1CHRK against SYSDBASE, SYSPLAN, SYSDBAUT, SYSVIEW, and SYSGROUP
 - Run DSN1COPY with CHECK option against all catalog/directory table space
 - Run CHECK INDEX against all catalog/directory indexes
 - Run catalog queries in member DSNTESSQ in SDSNSAMP
 - *Use DSNTEP2 so you can retain results*
- Make sure stuff is correct before attempting to migrate it

DB2 10 Catalog...

- Processed during enabling new function mode (ENFM*)
 - SYSDBASE, SYSPLAN, SYSDBAUT, SYSVIEW, SYSGROUP and DBD01 (because of links)
 - Plus SPT01, SYSOBJ, and SYSPKAGE
 - Above table spaces are removed and their tables are moved to new partition by growth table spaces with these characteristics:
 - Row level locking
 - New row format
 - Partition-by-growth
 - Referential Integrity in place of links
 - One table per table space
 - DSSIZE 64 G
 - MAXPARTS 1

*Uses migration job DSNTIJEN



DB2 10 Catalog...

- Converting to ENFMx
 - V10EN8 / V10EN9
 - 7 Table Spaces dropped
 - SYSIBM.SYSVTREE / SYSVLTREE dropped (moved to SYSVIEWs BLOB)
 - 72 Table Spaces added
 - SYSPLUXA / SYSPLUXB

LOBs for Routines from SYSOBJ

SYSDBASE

SYSTSFAU
 SYSTSTSP SYSTSCOL SYSTSTPT
 SYSTSTAB SYSTSFLD SYSTSREL
 SYSTSSYN SYSTSFOR SYSTSTAU
 SYSTSKEY SYSTSIXS SYSTSIPT

2 additional LOB spaces

SYSDBAUT

SYSTSDBA
 SYSTSDBU

SYSOBJ

SYSTSCON SYSTSTBC
 SYSTSAUX SYSTSDEP SYSTSPRM SYSTSTRG
 SYSTSDAT SYSTSKYC SYSTRAU SYSTSENV
 SYSTSROU SYSTSSCM

3 additional LOB spaces

SYSGROUP

SYSTSSTG
 SYSTSVOL

SYSVIEWS

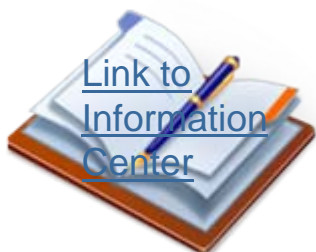
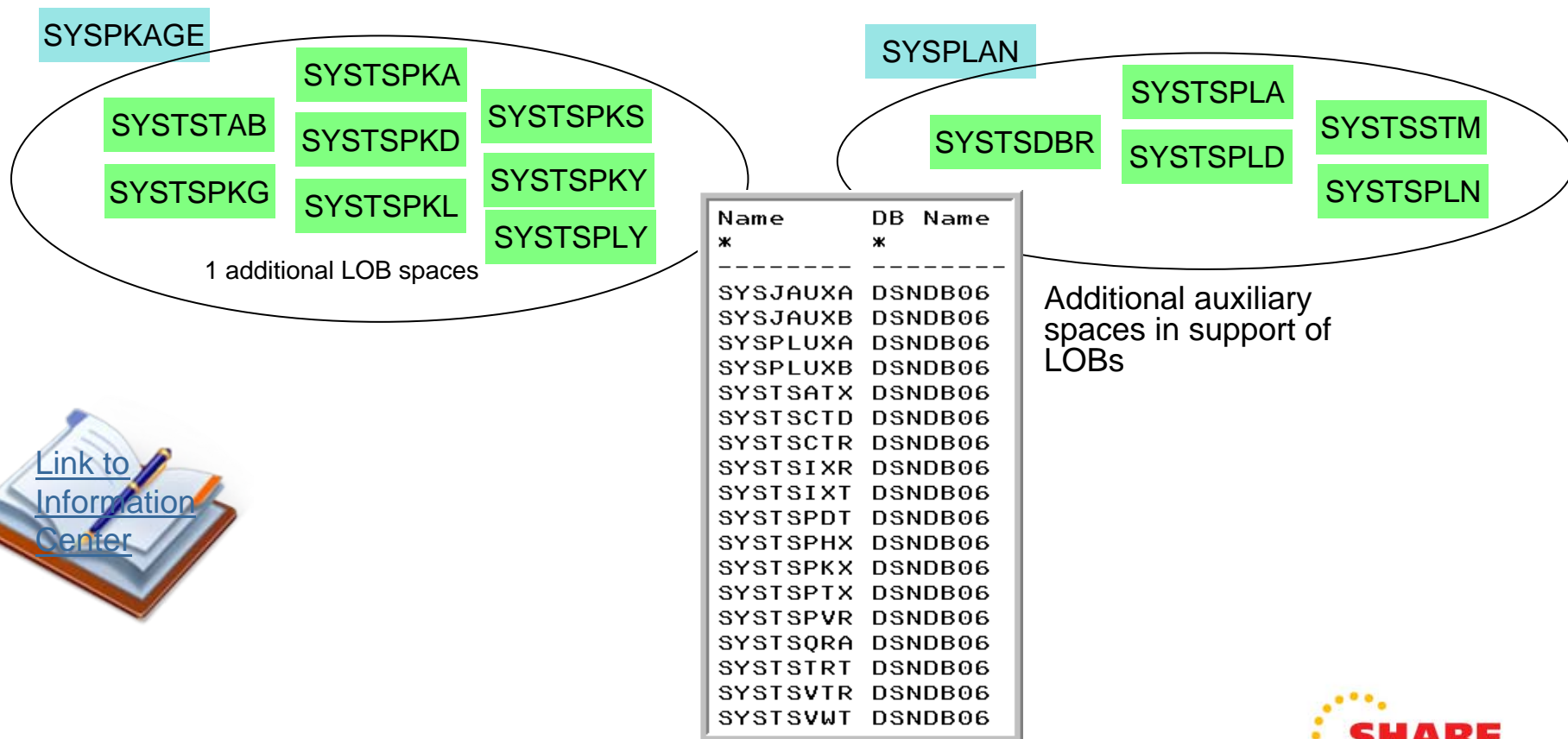
SYSTSVWD
 SYSTSVIEW

2 additional LOB spaces

Underlined items occur in a V9 to V10 migration

DB2 10 Catalog...

- Converting to ENFMx
 - V10EN8 / V10EN9



DB2 10 Catalog...

- Compare / Contrast

DB2_VERSION_MODE	TS Count	Column Count
V8NFM	22	1281
V10C8	30	1705
V10EN	95	2046
V10NF	95	2046

DB2_VERSION_MODE	TS Count	Column Count
V9NFM	28	2003
V10C9	30	2057
V10EN	95	2387
V10NF	95	2387

Based on tables that are "SYSIBM" tables
 Does not include several "User" tables added post-migrations
 -Like the tables in DSNXSR (DSNTIJNX)

This V9 system had several of "User" tables, tools-tables, DB2 stored procedure-tables

	Table Space Count	Column Count
V8 NFM	22	1281
+	8	424
-	0	0
V10 CM8	30	1705
+	72	349
-	7	8
V10 ENFM8	95	2046
+	0	0
-	0	0
V10 NFM	95	2046
Overall Delta	73	765

	Table Space Count	Column Count
V9 NFM	28	2003
+	2	54
-	0	0
V10 CM9	30	2057
+	72	338
-	7	9
V10 ENFM9	95	2387
+	0	0
-	0	0
V10 NFM	95	2387
Overall Delta	67	384

DB2 10 Catalog...

- Migrating to CM
 - V10CM8 or V10CM9
 - 8 or 2 Table Spaces Added
 - *SYSCONTX* *Trusted Context Definitions*
 - *SYSPLUXA* *Aux Space with BLOB for SYSRoutines.TEXT*
 - *SYSROLES* *Roles Definitions*
 - *SYSRTSTS* *Real Time Statistics*
 - *SYSTARG* *Extended Index Definitions*
 - *SYSTSASC* *ASCII SYSDUMMYA*
 - *SYSTSUNI* *Unicode SYSDUMMYU*
 - *SYSXML* *XML Definitions*
 - (Node IDs, Schema IDs, etc.)
 - No Table Spaces Dropped

Underlined items occur in a V9 to V10 migration

DB2 10 Catalog...

• Migrating to CMx

- V10CM8 / V10CM9
 - SYSCOPY
 - *Logging information (V9)*
 - SYSCOLUMNS
 - Hash information
 - XML Type Modifier
 - SYSINDEXES / HIST
 - *DATAREPEATFACTOR (V9)*
 - *Compression*
 - *Index on Expression*
 - Hash
 - SYSTABLEPART
 - Hash
 - SYSTABLES
 - Hash
 - Versioning / Temporal
 - Columns for Roles added throughout
 - RELEASE Created throughout

- SYSTABLESPACE
 - Hash
 - Member Cluster
 - *Clone (V9)*
 - *PBG (V9)*
- SYSDATABASE
 - *Implicit (V9)*
- LOCATIONS
 - *Trusted Context*
- SYSSTOGROUP
 - *SMS (V9)*
- SYSCOLDIST / HIST
 - *Histograms (V9)*
- SYSJAVAPATHS
- SYSDATATYPES
 - Inline LOBs
- SYSDEPENDENCIES
- SYSENVIRONMENT
- SYSROUTINES
 - *NSPs (V9)*
 - Inline routines
 - SECURE
- SYSRROUTINESTEXT

- SYSTRIGGERS
 - *SQL PL*
 - SECURE
- SYSPACKAGE
 - Temporal
 - APR
 - Plan Management
 - Extended Ind.
 - Concurrent Access
 - LASTUSED
- SYSPLAN
 - Concurrent Access
- SYSPACKSTMT
 - Statement ID
 - Text
- RTS
- SYSDUMMYE
- SYSDUMMYA
- SYSDUMMYU
- SYSUSERAUTH
 - New Authorities
- SYSXMLRELS
- SYSXMLSTRINGS

Summary of catalog changes
Underlined items occur in a V9 to V10 migration

DB2 10 Catalog...

- Converting to ENFMx
 - V10EN8 / V10EN9
 - SYSROUTINES_TREE
 - BLOB on SYSROUTINES
 - Real Time Statistics are moved into the Catalog
 - SYSINDEXSPACESTATS
 - TOTALENTRIES now BIGINT
 - Various new stats
 - SYSTABLESPACESTATS
 - TOTALROWS and SPACE now BIGINT
 - Various new stats
 - SYSAUDITPOLICIES
 - SYSAUDITALERTS / _OUT
 - SYSAUTOTIMEWINDOWS
 - SYSCONTROLS / _DESC
 - SYSPENDINGDDL
 - SYSPENDINGOBJECTS
 - SYSPACKCOPY
 - SYSQUERY
 - SYSQUERYPLAN
 - SYSQUERYOPTS
 - SYSTABLES_PROFILES
 - SYSXMLTYPMOD
 - Several places where text or control info is included as CLOB or BLOB

DB2 10 Catalog...

- Convert to NFM
 - V10NFM
 - No additional changes noted
 - This is where more SYSIBM user tables would be created
 - *Database DSNXSR (DSNTIJNX – V8)*
 - *Resource Limit facility*
 - *Profiles*
 - *Explain tables*
 - *Etc...*

DB2 10 Catalog...

- V10 catalog restructure provides greater concurrency for catalog operations
 - Concurrent binds
- V8 migrations will include new Catalog table spaces for
 - Real-Time Statistics
 - New page size for SYSOBJ
 - XML
 - Trusted Context
 - Extended Index definitions
- V8 and V9 migrations see many table space changes for the catalog restructure
- Several LOB columns
 - Using Inline LOBs

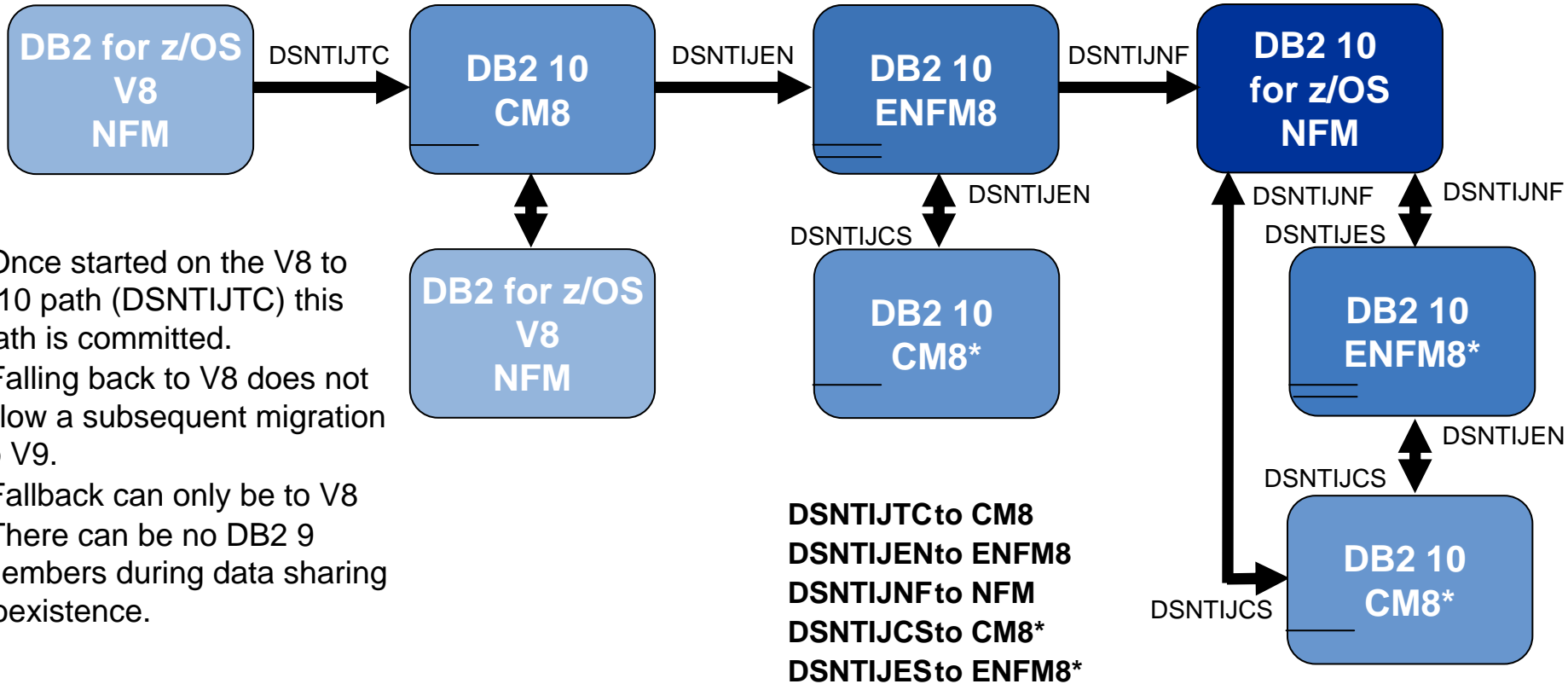
DB2 10 Catalog...

- Summary
 - 55 spaces are UTS Partition By Growth
 - All are Unicode, except
 - SYSCOPY
 - SYSEBCDC
 - SYSTSASC
 - All are row level locking, except the following (page level):
 - SYSEBCDC
 - *Contains SYSDUMMY1 & SYSDUMMYE*
 - SYSSEQ
 - *Has MAXROWS set to 1*
 - 68 are RRF
 - 18 LOB Columns
 - 6 use Inline LOBs

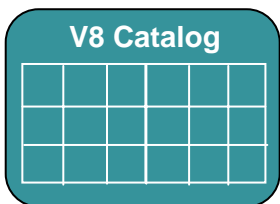
TABlename	COLNAME	INLINE_LENGTH
SYSPACKSTMT	STATEMENT	15360
SYSPACKSTMT	STMTBLOB	7168
SYSCTRLS	RULETEXT	16000
SYSCTRLS	DESCRIPTOR	12000
SYSQUERY	STMTTEXT	2048
SYSVIEWS	PARSETREE	27670

A Little More on that Migration Stuff...

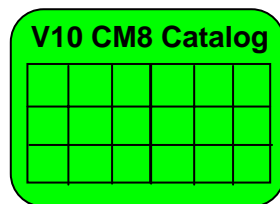
DB2 10 for z/OS Migration Modes from V8



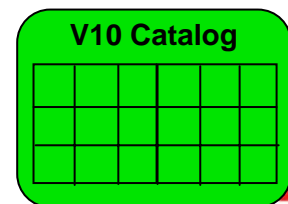
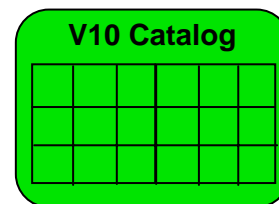
- Once started on the V8 to V10 path (DSNTIJTC) this path is committed.
- Falling back to V8 does not allow a subsequent migration to V9.
- Fallback can only be to V8
- There can be no DB2 9 members during data sharing coexistence.



The DB2 for z/OS Catalog Gets a Makeover

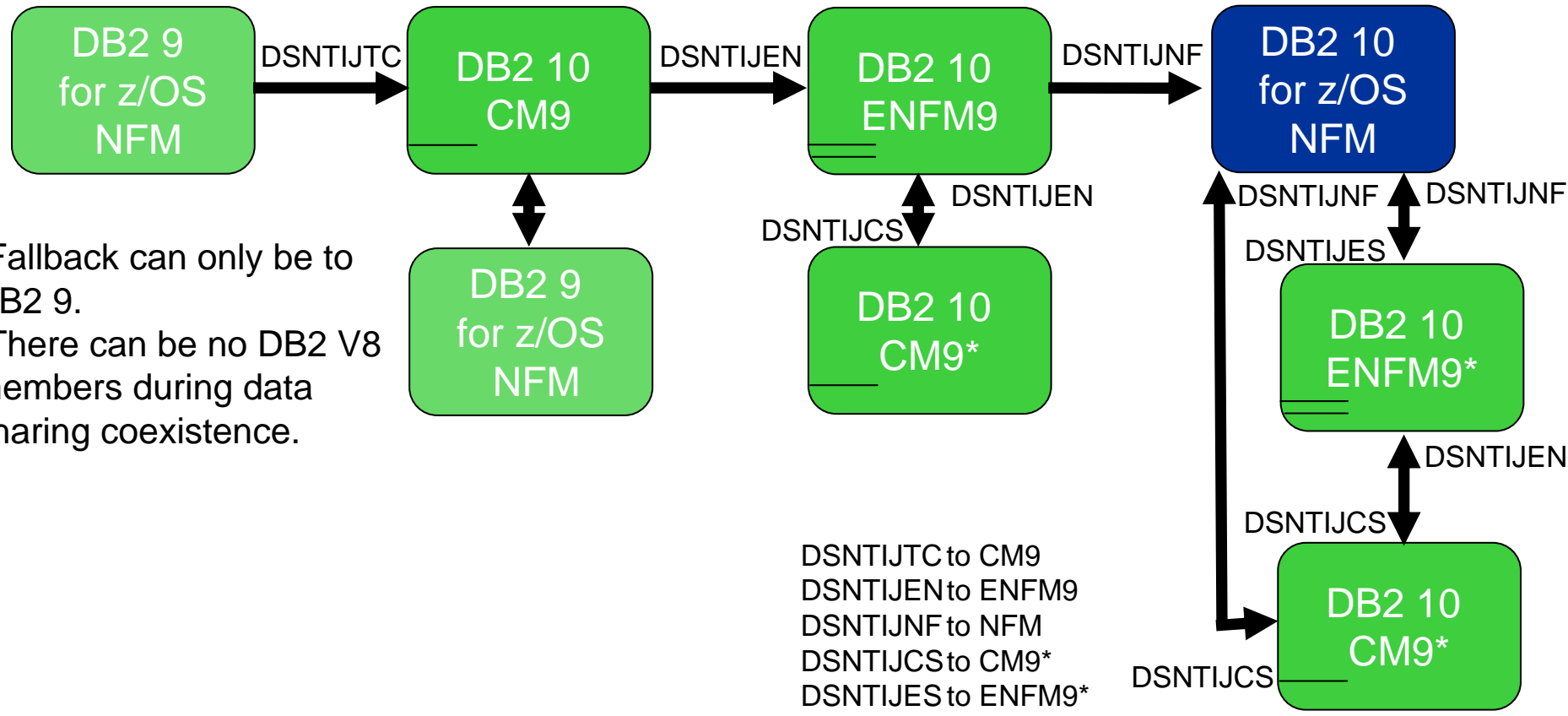


Copyright © 2011 IBM Corporation
All rights reserved

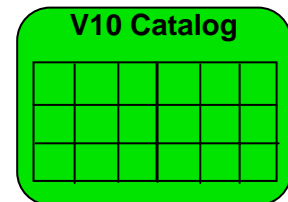
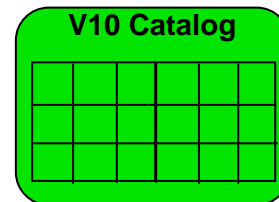
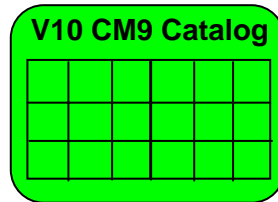
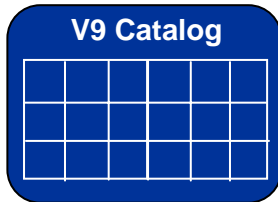




DB2 10 for z/OS Migration Modes from V9



- Fallback can only be to DB2 9.
- There can be no DB2 V8 members during data sharing coexistence.



DB2 10 Modes

- CMx Considerations (1)
 - Address Incompatibilities before migration
 - Fall back SPE must be on all members (and restarted)
 - Catalog is tailored
 - Data Sharing group
 - V8 & CM8
 - V9 & CM9
 - Test, test, test
 - Fallback possible (CM8 to V8 OR CM9 to V9)
 - CM8 fall back to V8 CANNOT subsequently migrate to CM9
 - Fallback from CMx* not allowed
 - Backup and Recover catalog objects in the specified order of the “migrate from” version.
 - Add new objects per:
http://publib.boulder.ibm.com/infocenter/dzichelp/v2r2/topic/com.ibm.db2z10.doc.inst/db2z_modifydsntijic.htm

V8 to V10CM8 New Table Spaces

8

TSNAME
SYSCONTX
SYSPLUXA
SYSROLES
SYSRTSTS
SYSTARG
SYSTSASC
SYSTSUNI
SYSXML

V9 to V10CM8 New Table Spaces

2

TSNAME
SYSTSASC
SYSTSUNI

DB2 10 Modes

- CM8 Considerations
 - RUNSTATS
 - Collects DATAREPEATFACTOR added in V9
 - New Cluster Ratio formula
- CMx Considerations (2)
 - REBIND
 - Re-enable XPROCs
 - Find additional incompatibilities
 - Potential virtual storage and performance improvements

DB2 10 Modes

- ENFMx Considerations

- This is running the same code as CMx
- Catalog conversion takes place
- All members of a data sharing group must be at the CMx level before converting to ENFMx
- Can revert to CMx from ENFMx
- Beyond CMx, Backup and Recover objects V10 specified order

- NFM Considerations

- Can revert to ENFMx* or CMx*
 - Must be the same ENFM or CM mode as previous executed
 - *CM8 / CM9*
 - *ENFM8 / ENFM9*
- REORG TABLESPACE for LOBs SHRLEVEL NONE no longer supported.
 - As of NFM, these jobs will complete with an RC=0, but will not do anything

DB2 Managed Catalog & Directory Table Spaces

Catalog Must be DB2 (DFSMS*) Managed

- Catalog must be DB2 managed
 - BEFORE moving to DB2 10 conversion mode (CM)
 - Before upgrading or a new installation
- DFSMS is a set of IBM software products that automatically manages your data (*see slide xx*)
- With DB2 10 DFSMS will manage and control
 - All new catalog changes
 - All conversions to universal table spaces
 - All new catalog and directory indexes and table spaces
- All the new indexes and table spaces being added in DB2 10 will also use Extended Addressability (EA).

* Data Facility Storage Management System

Catalog Must be DB2 Managed

- Migration job DSNTIJSS
 - Provides DFSMS classes for customers currently not using DFSMS
 - Environment created by DSNTIJSS only for the DB2 catalog and DB2 directory objects
 - No other DB2 data sets are covered
 - DSNTIJSS must be completed before the installation/migration jobs DSNTIJTC or DSNTIJEN are executed.
- No conversion step to SMS is required
 - Data sets are converted when related table space is next reorganized

Storage Definitions

- Installation/migration panel DSNTIPA2
 - Panel contains SMS data classes, management classes, and storage classes needed for DB2 10 catalog, directory, and their indexes
 - *Similar to what's currently available on the DB2 9 panel DSNTIPA3*
- DB2 10 DSNZPARM parameters for
 - Catalog and directory
 - CATDDACL, CATDMGCL, and CATDSTCL on the DSN6SPRM macro
 - Catalog and directory indexes
 - CATXDAACL, CATXMGCL, and CATXSTCL also on the DSN6SPRM macro

Storage Definitions

- Storage administrator should provide data classes, management classes, storage classes, and Automatic Class Selection (ACS) routines
- SMS must be configured to allocate all DB2 catalog and directory data sets in extended format using extended addressability (EA)

What Makes Up DFSMS*?

- **DFSMSdfp** (Data Facility Product), the biggest and only non-optional component on this list, provides the data, storage, program, and device management. It includes the following subcomponents: Extended Remote Copy (XRC), Peer-to-Peer Remote Copy (PPRC), Network File System (NFS), FlashCopy, SnapShot, and Concurrent Copy.
- **DFSMSdss** (Data Set Services) is the high-speed data mover used, among other things, to copy data from disk to disk or disk to tape.
- **DFSMShsm** (Hierarchical Storage Manager) quickly and automatically assists in moving data to less costly devices.
- **DFSMSrmm** (Removable Media Manager) helps deal with removable media.
- **DFSMSStvs** (Transactional VSAM Services) covers data integrity for shared VSAM by batch and CICS.

* Data Facility Storage Management System

References

- **DB2 10 for z/OS Migration**
 - IBM Migration Planning Workshop
 - Paul Bartak, Senior Certified Executive IT Specialist, DB2 Advisor
- **The DB2 Catalog Gets a Makeover**
 - December 2010 / January 2011 issue of z/Journal Magazine
 - <http://www.mainframezone.com/it-management/the-db2-catalog-gets-a-makeover>
- **My DB2 for z/OS Blog**
 - <http://it.toolbox.com/blogs/db2zos/>

धन्यवाद
Hindi

多謝
Traditional Chinese

ขอบคุณ
Thai

Спасибо
Russian

Gracias
Spanish

Thank You
English

شكراً
Arabic

Merci
French

Obrigado
Brazilian Portuguese

Bedankt
Nederlands

多谢
Simplified Chinese

Danke
German

நன்றி
Tamil

ありがとうございました
Japanese

감사합니다

Willie Favero

Senior Certified Consulting IT Software Specialist

Dynamic Warehousing on System z Swat Team

IBM Silicon Valley Laboratory

IBM Academic Initiative Ambassador for System z

IBM Certified Database Administrator - DB2 Universal Database V8.1 for z/OS

IBM Certified Database Administrator – DB2 9 for z/OS

IBM Certified System Administrator – DB2 9 for z/OS

IBM Certified Database Administrator – DB2 10 for z/OS

IBM zChampion

wfavero@attglobal.net